



Photoelectric Sensor
S2 SERIES

- S2T-1200□□ · S2R-350□□
- S2D-80□□ · S2D-60□□
- BGS-2S30□□□□ · BGS-2S15□□□□
- BGS-2S10□□□□ · BGS-2S25□□□□

**INSTRUCTION
MANUAL**

- Confirm if the item meets your needs.
- Before the use, you should first thoroughly read this manual and operate correctly as mentioned.
- You should keep this manual at hand for proper use.

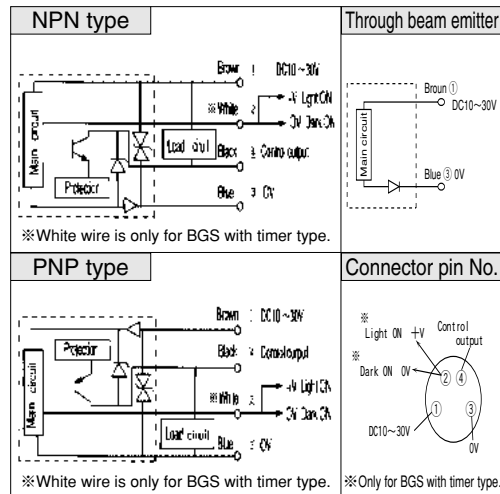
SPECIFICATION 1

	Through beam	Retro reflection	Diffused reflection		Limited function type		BGS Type	
			Through beam type	Retro reflection type	with timer function	without timer function		
Cable type	S2T-1200N•	S2R-350N•	S2D-80N•	S2D-60N•	S2T-1200N/D•	S2R-350N/D•	BGS-2S30(N,P) T	BGS-2S30(N,P)
Connector type	S2T-1200CN•	S2R-350CN•	S2D-80CN•	S2D-60CN•			BGS-2S30C(N,P) T	BGS-2S30C(N,P)
Detecting distance	12m	3.5m	80cm	60cm			25~300mm (adjustable range)	
Supply voltage	DC10~30V Including ripple (P-P) 10%							
Current consumption	Sender : 20mA max. Receiver : 15mA max.				20mA max.		30mA max.	
Light Source	Red LED			IR LED	Red LED			
Response time	0.5ms max.							
Control output	NPN/PNP Open collector 100mA max./DC30V							
Operation mode	Light ON/Dark ON Selectable by swi				Dark ON		Light ON/Dark ON Selectable by wiring	
Sensitivity adjustment	1 turn volume				Not equipend		6 turns endless volume	
Indicator	Out put indicator (orange LED) Stable indicator (green LED) (Green LED of BGS type is stable incident indicator)							
Ambient temp./humidity	-25~55°C / 35~85%RH							
Protection category/material	IP67 (IP65 for limited function type) / Case : ABS (glass included) Front cover : PMMA (PC for BGS type)							
Timer	Not equipped						0~100ms adjustable Not equipped	

SPECIFICATION 2

	BGS Type		
Cable type	BGS-2S25(N,P)	BGS-2S10(N,P)	BGS-2S15(N,P)
Connector type	BGS-2S25C(N,P)	BGS-2S10CP	BGS-2S15C(N,P)
Detecting distance	1~250mm	20~100mm	25~150mm
Supply voltage	DC10~30V Including 10% ripple (P-P)		
Current consumption	30mA max.		
Light Source	Red LED		
Response time	0.5ms max.		
Control output	NPN/PNP Open collector 100mA max./DC30V		
Operation mode	Light ON/Dark ON Selectable by wiring		
Sensitivity adjustment	6 turns endless volume		
Indicator	Out put indicator (orange LED) Stable incident indicator (green LED)		
Ambient temp./humid	-25~55°C / 35~85%RH		
Protection category/material	IP67 Case : ABS (glass included) Front cover : PC		
Timer	Not equipped		

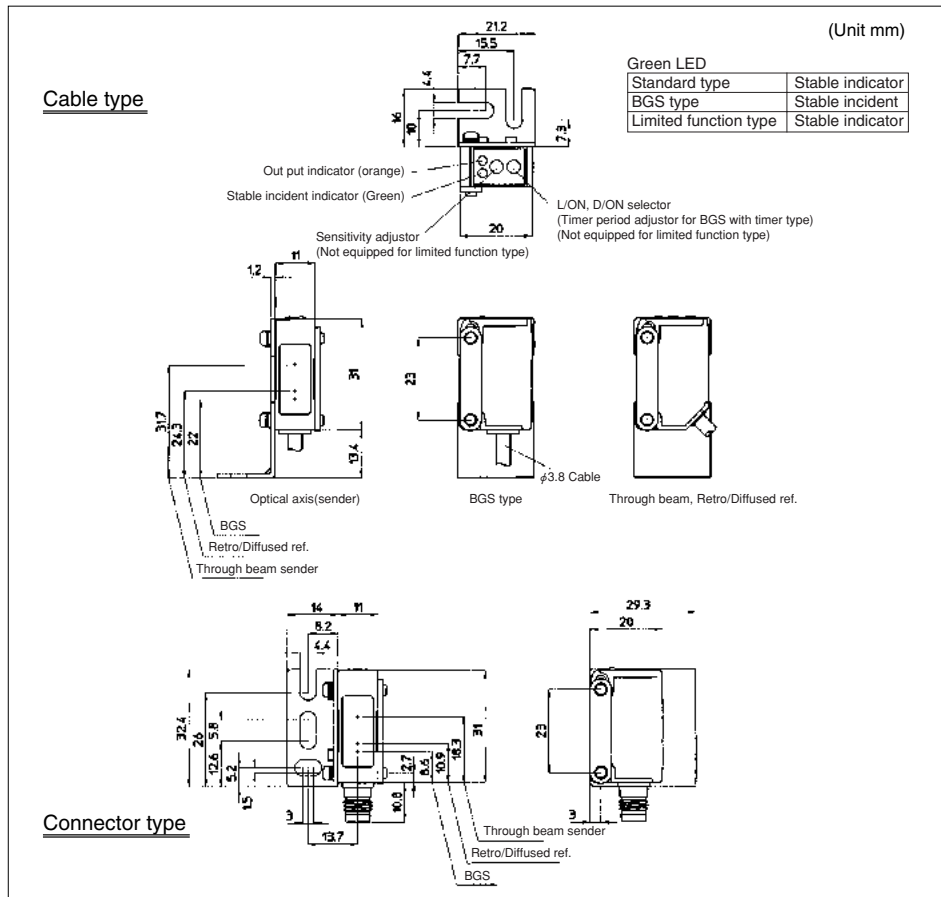
INPUT AND OUTPUT CIRCUIT DIAGRAMS



ACCESSORIES

- Standard reflector (for Retro-ref.)
Detecting distance 3.5m Type : V-6 1
- Optional reflector
Detecting distance 2m Type : V-4 2
- Optional reflector
Detecting distance 1.2m Type : P-4 5
- Anti-interference filter for Through beam type (option)
Type : B L-1 4 0 - POLF
Detecting distance : 5 m
- Bracket assy for vertical installation (option)
Type : B E F-W 1 4 0 - B

DIMENSIONS



⚠ Must not use this item as safety equipment for the purpose of human body protection.

- Specifications and equipment are subject to change without any obligations on the part of manufacture.
- For more information, questions and comments regarding products, please contact us below.

Manufactured and sold by :
OPTEx FA CO., LTD.

607-8085 Kyoto, Yamashina, Takehanadonomaecho 46-1, JAPAN
Tel: +81-(0)75-594-8123
Fax: +81-(0)75-594-8124

Website : <http://www.optex-fa.com>